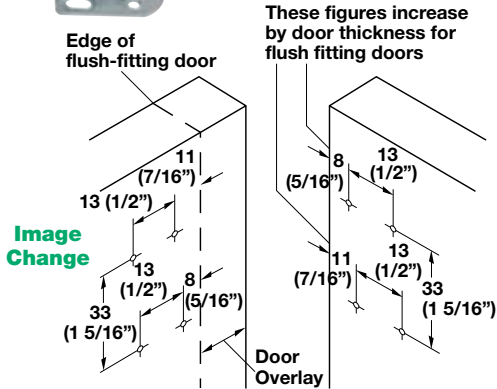


### Concealed Hinges

Max. door opening angle: **90°**



#### Easy Mount

- Door thickness: 16 - 20 mm (5/8" - 3/4")
- Side panel thickness: 16 - 22 mm (5/8" - 7/8")
- Horizontal and vertical adjustment, oblong holes
- Screw-mounted, self-closing

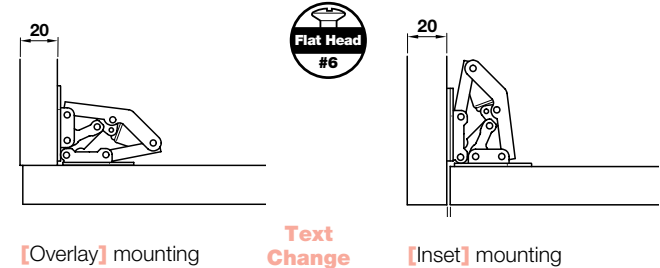
Material: steel

Finish	Item No.
zinc-plated	343.33.920

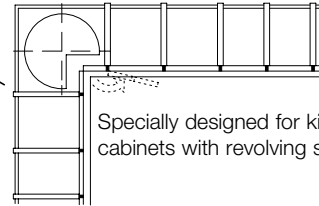
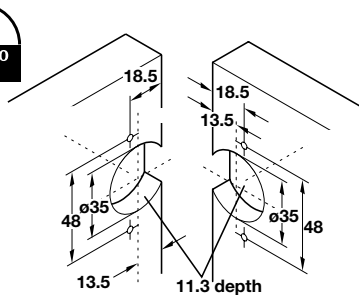
\*Packing: 100 pcs.



#### Sample installations



Max. opening angle: **78°**



Specially designed for kitchen corner cabinets with revolving shelves.



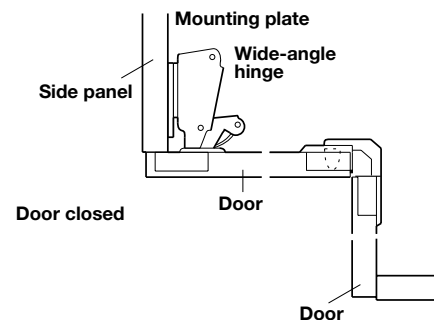
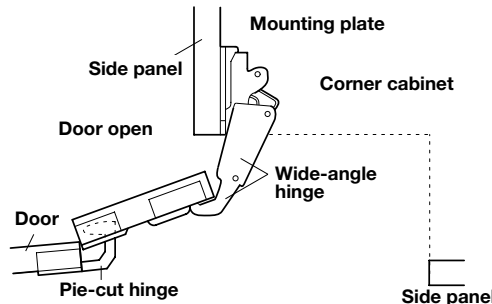
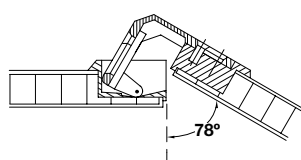
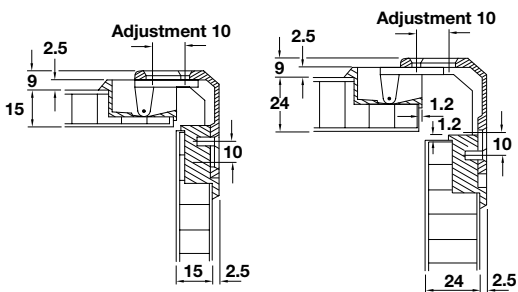
#### A-Series Pie-cut Corner Hinge

- Screw-mounted
- With two 35 mm cup holes
- Door thickness variable: 15 - 24 mm
- Hole size: 35 mm diameter, depth 11 mm
- Meets all design requirements for three-way adjustability, quick mounting, concealed installation and sturdy construction
- Adjustable to allow a small air circulation gap

Material: zinc die-cast

Finish	Item No.
nickel-plated	343.90.710

\*Packing: 100 pcs.



Dimensional data not binding. We reserve the right to alter specifications without notice.

Raised flat head screws	page 201
Flat head screws	pages 194-195, 197

\*Minimum order quantity is 1 piece.

Dimensions in mm  
Inches are approximate